

# SARBE

an Orolia brand



## SARBE G2R-ELT EVO Emergency Locator Transmitter

SARBE G2R-ELT EVO is designed and manufactured to meet the relevant environmental standards and conditions of STANAG 7007 edition 2 and DEF STAN OO-35 issue 2. Used on its own or to supplement an existing fixed ELT. SARBE G2R-ELT EVO is a flexible & economical survival aid providing an essential lifeline if the unexpected happens.

SARBE: Innovation since 1944

The SARBE brand has been at the forefront of innovation in life saving Locator Beacons and critical communications for more than 70 years. Its products are in Tri-Force use on every continent.



## Key features

- Cospas-Sarsat type approved
- Global satellite alerting on 406MHz
- Simultaneous homing transmission 121.5MHz & 243MHz
- GPS for pinpoint location accuracy
- Two way speech facility on 121.5/243MHz
- Multi direction 'G' Switch activation
- Built in self test
- Waterproof to 10m
- Fast replacement for AOG operations
- Quick change "Twist Fit" battery
- 5 Year battery life (unused)
- Integrated or aircraft mount antennas
- Bracket for convenient stowage

## Benefits of G2R-ELT\*

- Removable from aircraft after incident
- Two way voice communications with rescuers on 121/243MHz
- CSAR options for covert operations
- Flexible stowage options
- Liferaft compatible
- Light and compact
- Transfer quickly between aircraft
- Suitable for fixed & rotary wing aircraft

\* Cospas-Sarsat Type Approval Certificate # 159

## Technical Specifications

### Frequencies

406MHz - Cospas-Sarsat data (beacon identity and GPS location)  
 121.5MHz & 243MHz Swept tone distress signal and speech  
 225MHz to 300MHz (Identity, GPS location, Time of fix)

### Power Output

406MHz - 5 watts  
 121.5MHz - 200mW  
 243MHz - 400mW  
 282MHz - 500mW  
 Endurance - Not less than 24 hours @ -20°C

### RF Specification

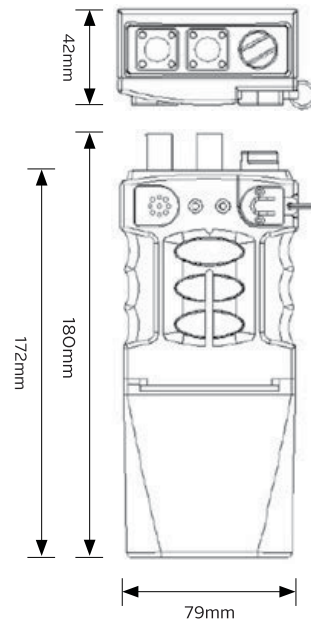
406MHz	IAW Cospas-Sarsat Docs T.001/T.007
TX/RX Audio response	300Hz - 2500Hz
TX/RX Distortion	Less than 10% @ 85% modulation
RX Sensitivity	4 microvolts - VHF + UHF
RX Audio output	25mW
RX IF selectivity	6dB down, @ ±15KHz
TX Modulation	> 85% AM swept tone
TX Harmonics	-40dB Below carrier

### GPS Specification

Type	50 channel L1/CA code
Coordinate system	Geodetic Lat/Long WGS-84
Global accuracy	10m with SarFind

### Part Number

SARBE part numbers	101166-2
--------------------	----------



### Mechanical Specification

Weight (excluding antennas)	ELT 723g, Bracket 184g
Dimensions (inc. bracket)	H180mm x W79mm x D42mm
Waterproof	Depth up to 10m
Operational temperature	-40°C to +55 °C
Storage temperature	-55C to +70C
Battery type	6v LiMnO2 - 2 'D' cells
Battery life	5 years (unused)
Activation	Rotary control switch, 'G' Switch, Salt water, Pull Pin